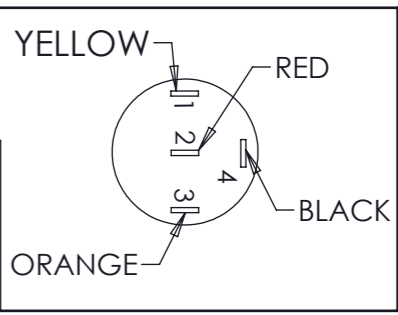
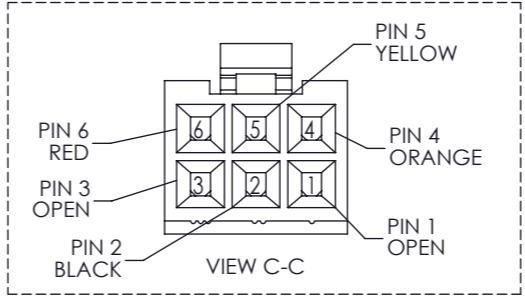
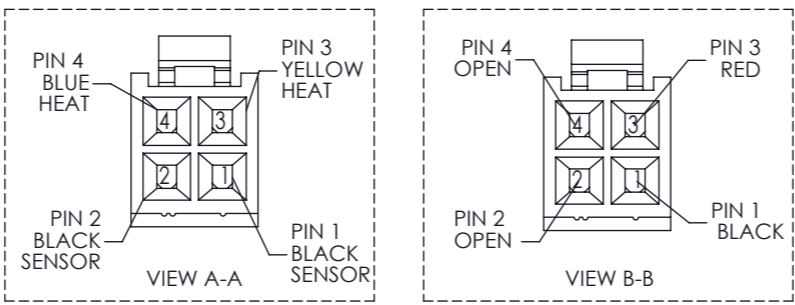
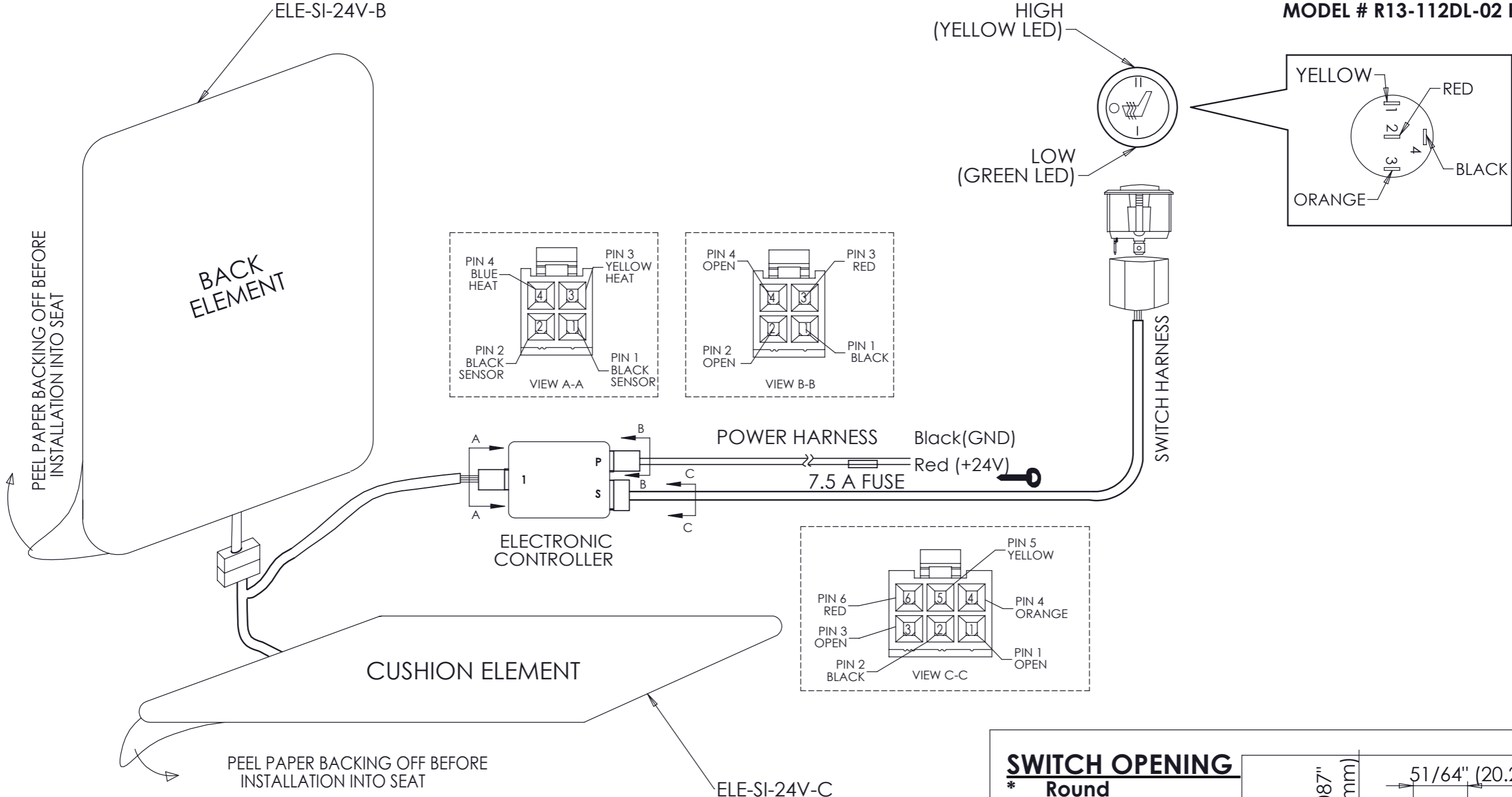


# SI-HL-101-24V SEAT HEATER KIT WIRING DIAGRAM

USE SWITCH WITH INCREASED MOUNTING EAR THICKNESS MANUFACTURER MODEL # R13-112DL-02 REV. X1



NOTE:  
 CURRENT (TYP/MAX): 1.8A/1.9A

