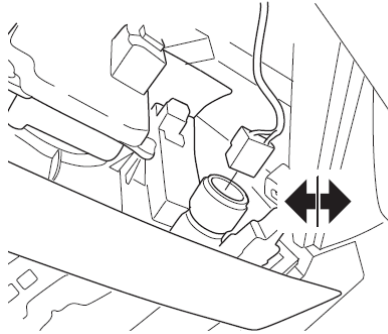
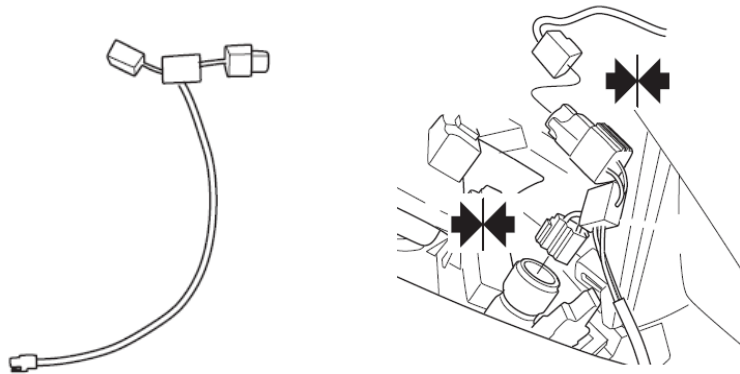


Installation Guide for Connecting to Power

1. Locate a 20Amp fused switch ignition power outlet (i.e.: cigar lighter)
2. Unplug the vehicle harness from the back of the power outlet



3. Plug in the grey connector of the supplied power harness into the back of the power outlet
4. Plug the vehicle harness into the white connector on the supplied power harness



5. Plug the 6 position dual row connector from the supplied power harness into position # 4 on the controller

