

8616 MINI RELAY, PREWIRED

20A NORMALLY OPEN,
10A NORMALLY CLOSED

Relays are used in a wide variety of automotive applications. Just think of a relay as being an "electrically activated switch". This "switch" is composed of three contacts, terminals #30, #87A and #87. Activating the relay is done with the coil, terminals #85 and #86. For auto security applications there are numerous features which will require the use of a low-current relay (s): siren chirp; WarnAway™; circuit isolation; trigger inversion; trunk release, temporary sensor disconnect, etc..

The 8616 is capable of handling 20 A maximum across its normally open contacts, and 10A maximum across its normally closed contacts. It is NOT intended for high current applications such as: starterkill, headlight turn on, etc...

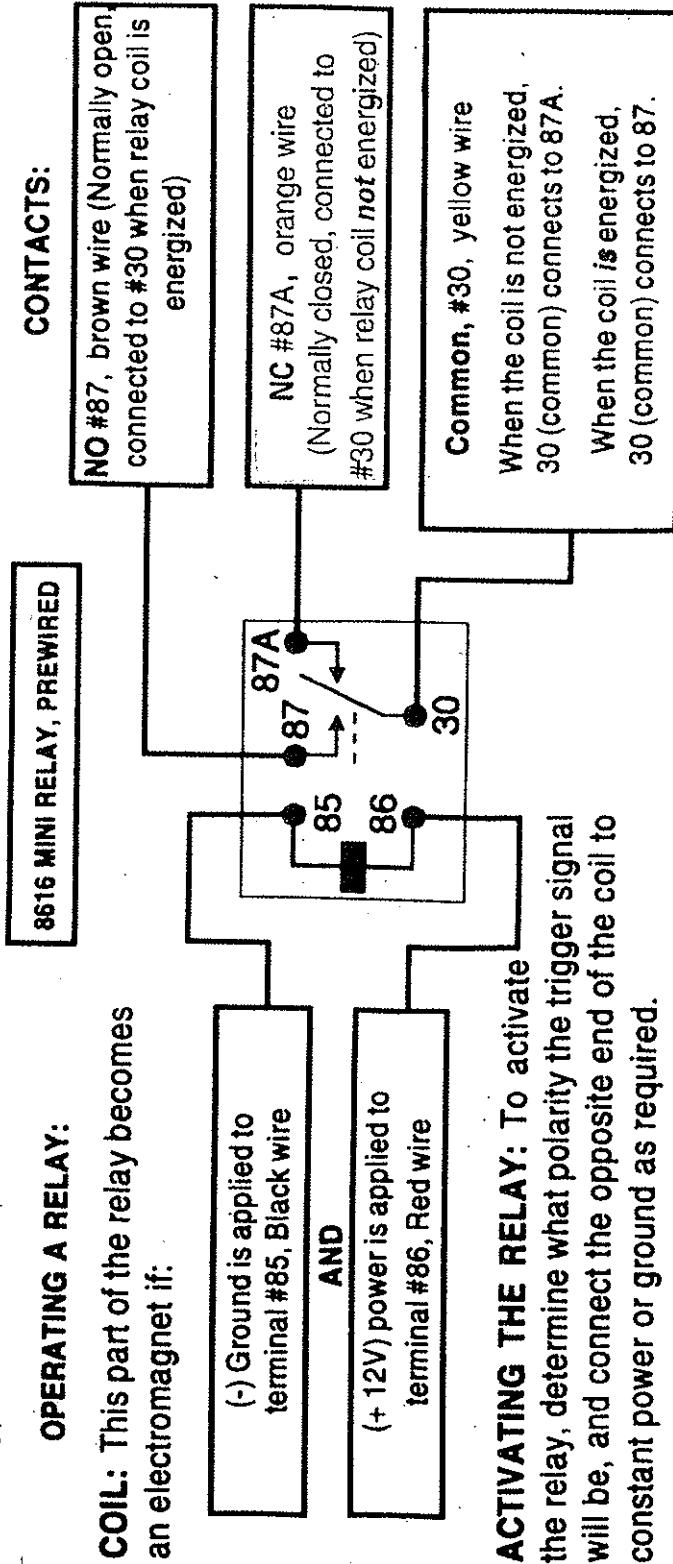
OPERATING A RELAY:

COIL: This part of the relay becomes an electromagnet if:

(-) Ground is applied to terminal #85, Black wire

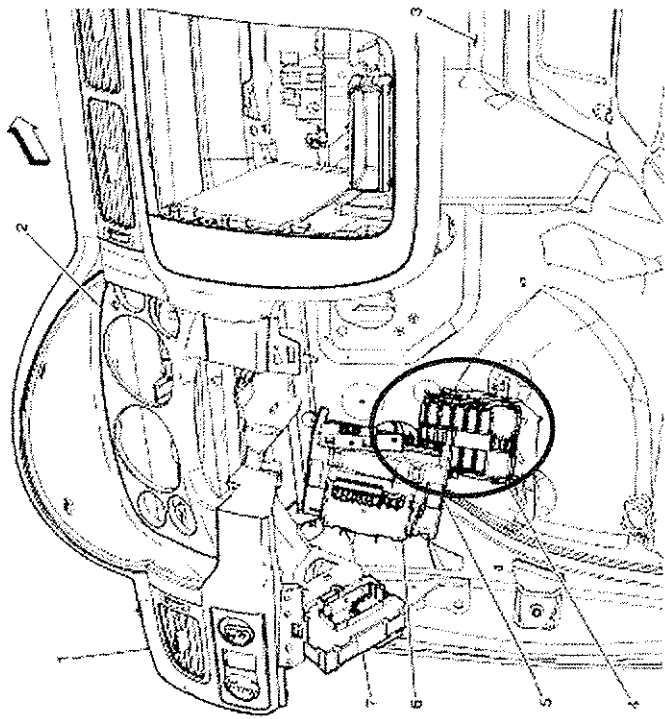
AND

(+ 12V) power is applied to terminal #86, Red wire



ACTIVATING THE RELAY: To activate the relay, determine what polarity the trigger signal will be, and connect the opposite end of the coil to constant power or ground as required.

For more information on how to use relays, please order DIRECTFAX document #1041 (*The DEI Relay Application Guide*).



- (1) I/P Trim
- (2) I/P Cluster Trim
- (3) Floor Panel
- (4) Junction Block - Left I/P
- (5) Body Control Module (BCM)
- (6) Transfer Case Shift Control Module
- (7) Fuse Block - I/P

Figure 1: Locate Junction Block – Left I/P

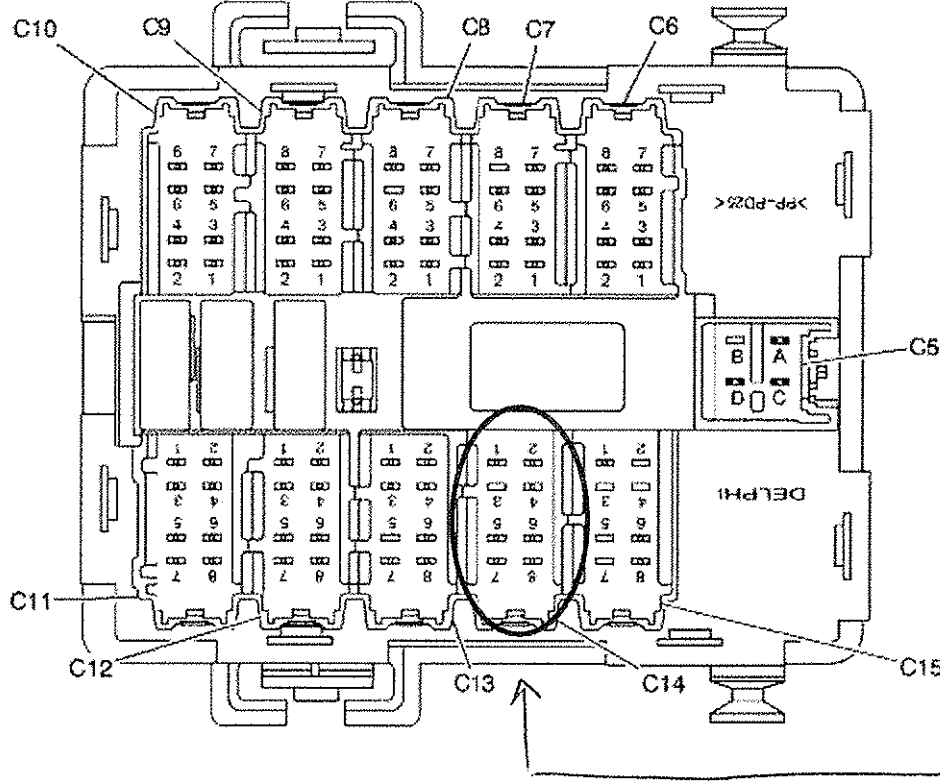
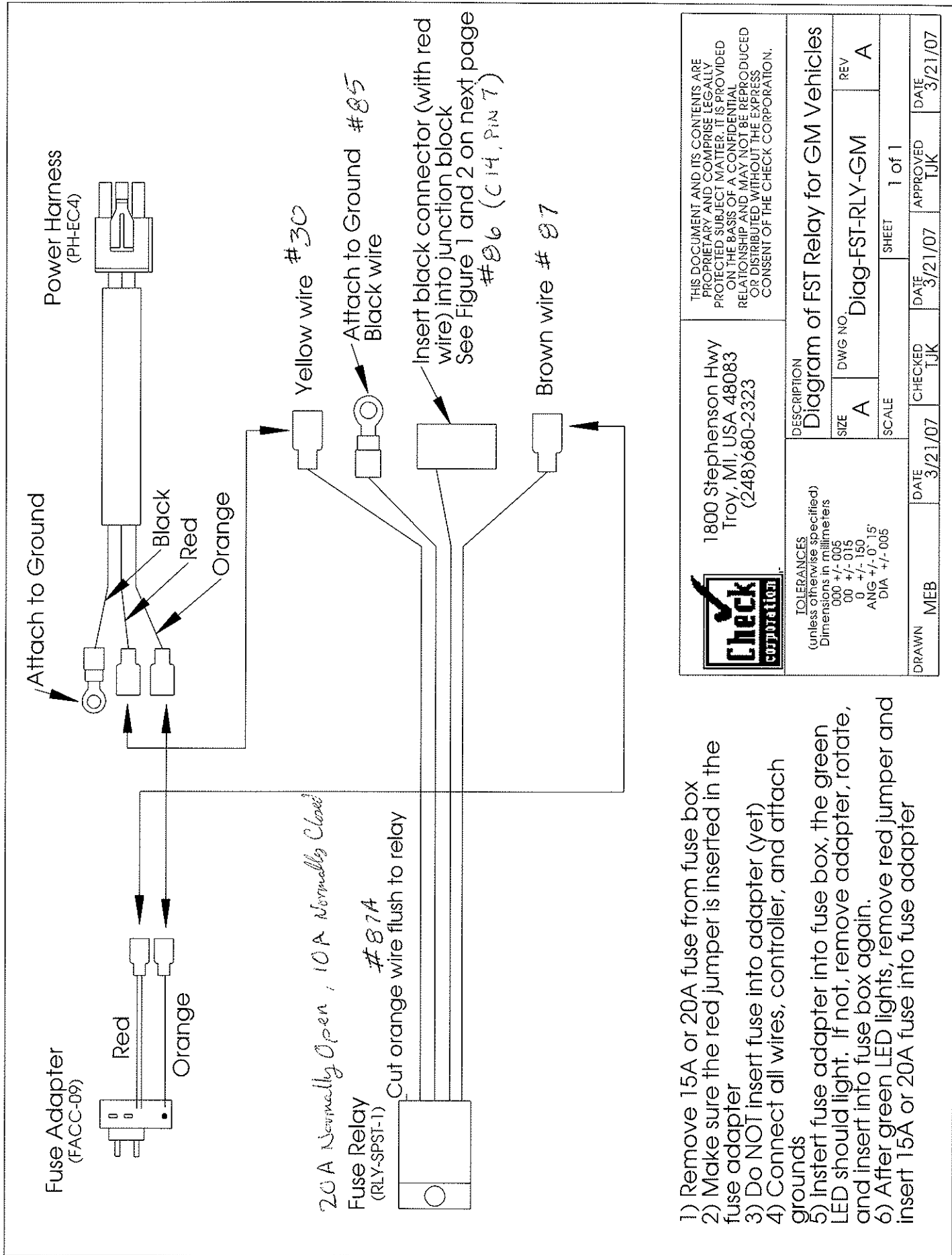


Figure 2: Plug Black Connector with Red Wire into C14

C14, PIN 7



- 1) Remove 15A or 20A fuse from fuse box
- 2) Make sure the red jumper is inserted in the fuse adapter
- 3) Do NOT insert fuse into adapter (yet)
- 4) Connect all wires, controller, and attach grounds
- 5) Insert fuse adapter into fuse box, the green LED should light. If not, remove adapter, rotate, and insert into fuse box again.
- 6) After green LED lights, remove red jumper and insert 15A or 20A fuse into fuse adapter



1800 Stephenson Hwy
Troy, MI, USA 48083
(248)680-2323

THIS DOCUMENT AND ITS CONTENTS ARE PROPRIETARY AND COMPRISE LEGALLY PROTECTED SUBJECT MATTER. IT IS PROVIDED ON THE BASIS OF A CONFIDENTIAL RELATIONSHIP AND MAY NOT BE REPRODUCED OR DISTRIBUTED WITHOUT THE EXPRESS CONSENT OF THE CHECK CORPORATION.

TOLERANCES (unless otherwise specified) Dimensions in millimeters		DESCRIPTION	
000 +/- .005	000 +/- .015	Diagram of FST Relay for GM Vehicles	
0 +/- .150	ANG +/- 0° 15'	SIZE	REV
DIA +/- .005		A	A
DRAWN MEB		SCALE	SHEET
DATE 3/21/07	CHECKED TJK	APPROVED TJK	1 of 1
DATE 3/21/07	APPROVED TJK	DATE 3/21/07	DATE 3/21/07